



# MC2000

Moisture Analyzer



## *Taking Moisture Determination in Agricultural Applications to the Next Level*

Combining efficiency and reliability, the MC2000 Hand Held Grain Moisture Analyzer is designed for accurate determination of grain moisture content in agricultural applications, including quality control and storage. Simple to set up and operate with a user-friendly interface, the MC2000 increases productivity in your operation with fast and reliable results. MC2000 features a compact design, and is durably built for repetitive use.

### *Standard Features Include:*

- **Easy-to-Use with Simple Touch Button Operation & User-Friendly Interface**  
No sample preparation or grinding needed with MC2000's whole grain analysis. To operate, simply select grain type on the interface, place sample (whole kernel) in the vessel and get results automatically.
- **Ideal for Routine Moisture Analysis with Fast & Reliable Results**  
With results within 5 seconds, the MC2000 is geared for routine grain moisture analysis. Automatic temperature compensation system adjusts any external temperature influences, ensuring accuracy.
- **Versatile Use with Multiple Measurement Modes**  
With 50 procedures in the library (10 pre-programmed), MC2000 is designed to measure moisture content in a wide variety of grains.

# MC2000 Moisture Analyzer

Model	MC2000
Moisture Range	3 %-45 %
Readability	0.1 %
Repeatability	0.2 %
Sample Volume	220 ml
Power	4AA batteries (included)
Operating Temperature Range	0 °C-50 °C
Display Type	Liquid crystal display (LCD) with backlight
Displays	% Moisture, Weight, Density, Statistics, Temperature
Sample Category	50 (10 pre-programmed)
Dimensions (W × H × D)	19 × 20 × 12 cm
Net Weight	0.8 kg
Shipping Weight	2.6 kg



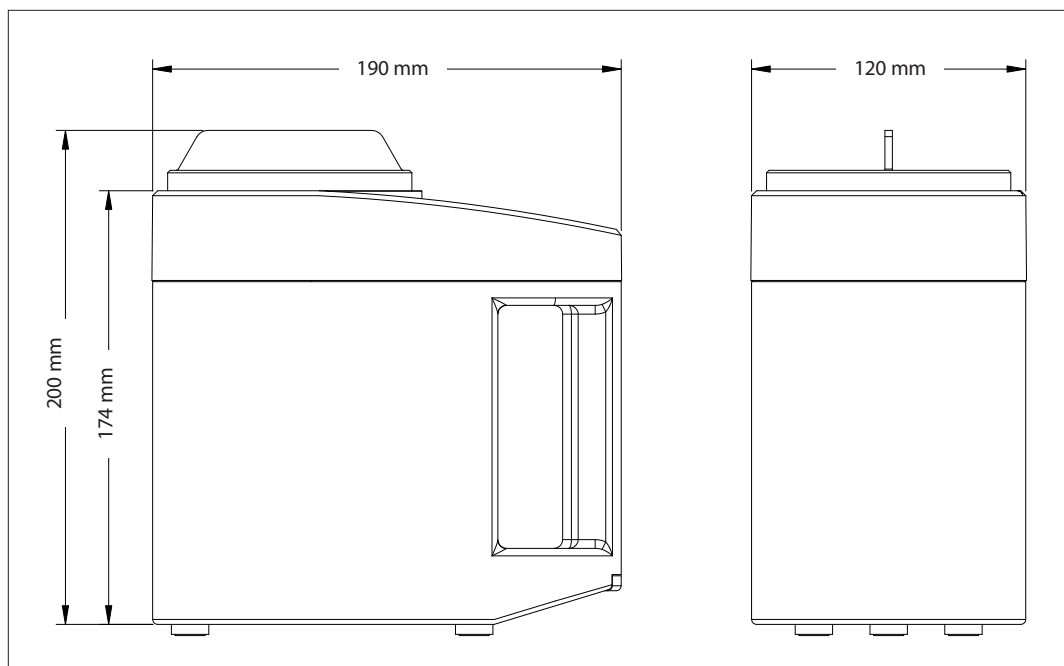
## Other Standard Features and Equipment

Weight Calibration, Adjustment, Category Setup, Automatic Power Off, Automatic Temperature Compensation

## Compliance

- **Product Safety:** CE, CSA/UL and FCC approved

## Dimensions



OHAUS Europe GmbH  
Im Langacher 44  
8606 Greifensee  
Switzerland

e-mail: [ssc@ohaus.com](mailto:ssc@ohaus.com)  
Tel: 0041 22 567 53 19  
e-mail: [tsc@ohaus.com](mailto:tsc@ohaus.com)  
Tel: 0041 22 567 53 20

[www.ohaus.com](http://www.ohaus.com)

OHAUS Corporation is an ISO  
9001:2008 manufacturer

ISO 9001:2008  
Registered Quality  
Management System

Europe Literature #

