



Lx 100
Lx 200



Lx 200



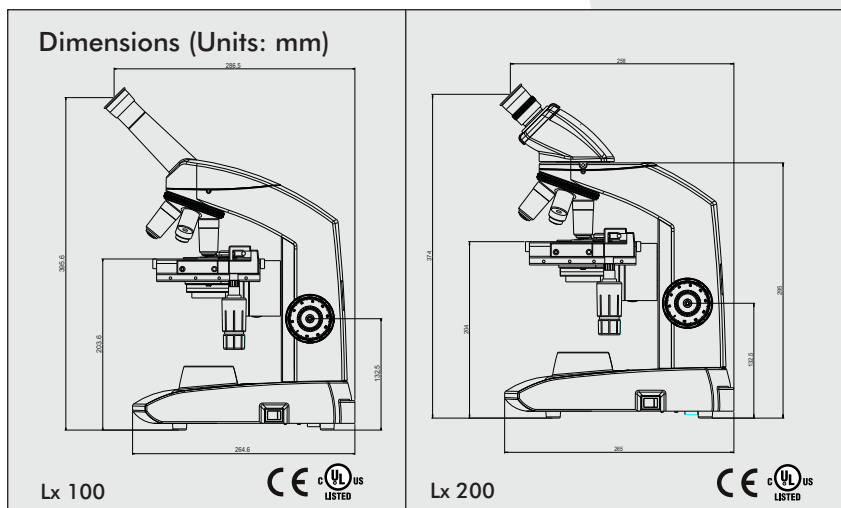
Lx 100

LABOMED[®] 
ideas for vision

Lx 100/Lx 200 Lab Microscopy

Specification	Description
- Stand	Single mold sturdy stand with anti-rust materials. Extended base for better stability. Comfort pad covers
- Viewing Body	Monocular (Lx 100) or Binocular (Lx 200) viewing body, 45° inclined, 360° rotatable dovetail
- Eyepiece	Wide field eyepiece 10x/18mm with foldable eye guard, lockable, antifungal
- Nosepiece	Quadruple nosepiece (ball bearing type) with rubber grip
- Objectives	LP series DIN Semi Plan Achromatic objectives 4x, 10x, 40x (spring loaded), 100x (spring loaded, oil), anti fungal
- Mechanical stage	Rectangular stage size 135 x 124mm, X/Y travel range 76mm x 50mm. Low drive movement controls, single specimen holder
- Condenser	Sub stage Abbe condenser NA 1.25 with aspheric lens. Iris diaphragm with snap-in frosted white filter. Rack and pinion movements on metal guides
- Focusing	Co-axial coarse and fine focusing on ball drive system for smooth operation. Fine drive movement 0.2mm/rotation
- Illumination	LED [†] illumination with variable illumination control. Upto 100,000 hours of LED life
- Electricals	Universal input 100V - 240V AC, 50/60Hz. Built-in voltage stabilizer

Specifications



Configurations

Description	Configuration	Cat. No.
Lx 100 Monocular	3 objectives(4x,10x,40x)	5031000
Lx 100 Monocular	4 objectives(4x,10x,40x,100x)	5032000
Lx 200 Binocular	4 objectives(4x,10x,40x,100x)	5033000

†LED version is with rechargeable battery
 *All optical components are made of environment friendly LEAD free optical glass. All painted surfaces are with anti-microbial properties.

Labo America, Inc.

920 Auburn Court
 Fremont, CA 94538
 U.S.A.

Tel: (510) 445-1257
 Fax: (510) 445-1317
 Email: sales@laboamerica.com



ISO 9001 : 2008
 File No. A9020

laboamerica.com

Distributor