

Digit Outside Micrometers



SERIES 193

FEATURES

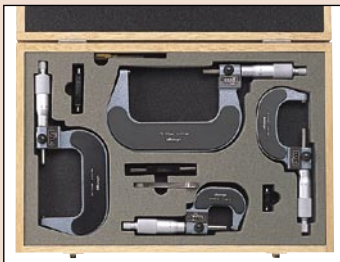
- Mechanical digit counter with 0.01 mm or .001" reading for quick and error-free reading.
- With a standard except for 25mm model.



193-101

Technical Data

Accuracy: Refer to the list of specifications.
 Counter reading: 0.01mm or .001"
 Graduation: 0.01mm, 0.001mm, .001" or .0001"
 Flatness: 0.6μm
 Parallelism: (2+R/100)μm, R = max. range (mm)
*fraction rounded down
 Measuring faces: Carbide tipped



193-916

SPECIFICATIONS

Metric With ratchet stop		
Range	Order No.	Accuracy
0 - 25mm	193-101	±2μm
	193-111*	±2μm
25 - 50mm	193-102	±2μm
	193-112*	±2μm
50 - 75mm	193-103	±2μm
	193-113*	±2μm
75 - 100mm	193-104	±3μm
	193-114*	±3μm
100 - 125mm	193-305	±3μm
125 - 150mm	193-306	±3μm
150 - 175mm	193-307	±4μm
175 - 200mm	193-308	±4μm
200 - 225mm	193-309	±4μm
225 - 250mm	193-310	±5μm

*0.001mm reading is obtained with vernier.

Inch With ratchet stop		
Range	Order No.	Accuracy
2" - 3"	193-213*	±.0001"
3" - 4"	193-214*	±.00015"
4" - 5"	193-415*	±.00015"
5" - 6"	193-416*	±.00015"
6" - 7"	193-417*	±.0002"
7" - 8"	193-418*	±.0002"
8" - 9"	193-419*	±.0002"
9" - 10"	193-420*	±.00025"
10" - 11"	193-421*	±.00025"

*.0001" reading is obtained with vernier.

Inch With friction thimble		
Range	Order No.	Accuracy
0 - 1"	193-201	±.0001"
	193-211*	±.0001"
1" - 2"	193-212*	±.0001"

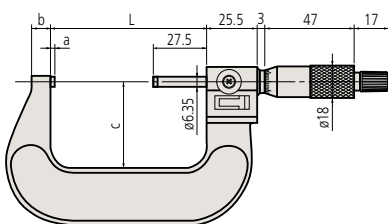
*.0001" reading is obtained with vernier.

Metric Micrometer set		
Range	Order No.	Assortment of micrometers
0 - 75mm (3 pcs./set)	193-901	• 193-101, 193-102, 193-103 • 2 micrometer standards
0 - 100mm (4 pcs./set)	193-902	• 193-101, 193-102, 193-103, 193-104 • 3 micrometer standards
0 - 150mm (6 pcs./set)	193-908	• 193-101, 193-102, 193-103, 193-104, 193-305, 193-306 • 5 micrometer standards

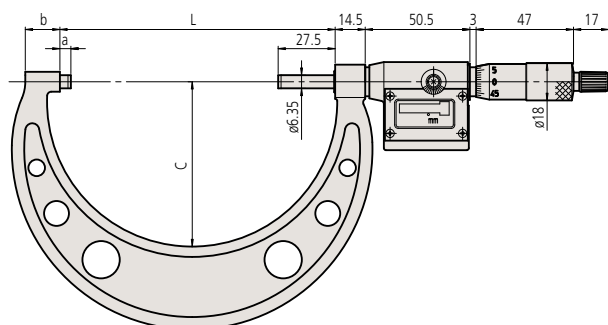
Inch Micrometer set		
Range	Order No.	Assortment of micrometers
0 - 3" (3 pcs./set)	193-923	• 193-211, 193-212, 193-213 • 2 micrometer standards
0 - 6" (6 pcs./set)	193-930	• 193-211, 193-212, 193-213, 193-214, 193-415, 193-416 • 5 micrometer standards

DIMENSION

Models up to 100mm



Models over 100mm



Unit: mm

Range	L	a	b	c
0 - 25mm	30	2.5	5	26
25 - 50mm	55	2	8	32
50 - 75mm	80	2	9	45
75 - 100mm	105	2	9	57
100 - 125mm	132.8	5.3	17	79
125 - 150mm	158.2	5.7	19	94
150 - 175mm	183.6	6.1	19	106
175 - 200mm	208.8	6.3	18	118
200 - 225mm	234.2	6.7	17	130
225 - 250mm	258.0	5.5	18	143

Note: The shape of the thimble changes on the model with Friction Thimble.