

Technical Information

No. FO 4918

Edition: 02/02 - subject to change

Supersedes: Initial Release 09/01

Status: valid

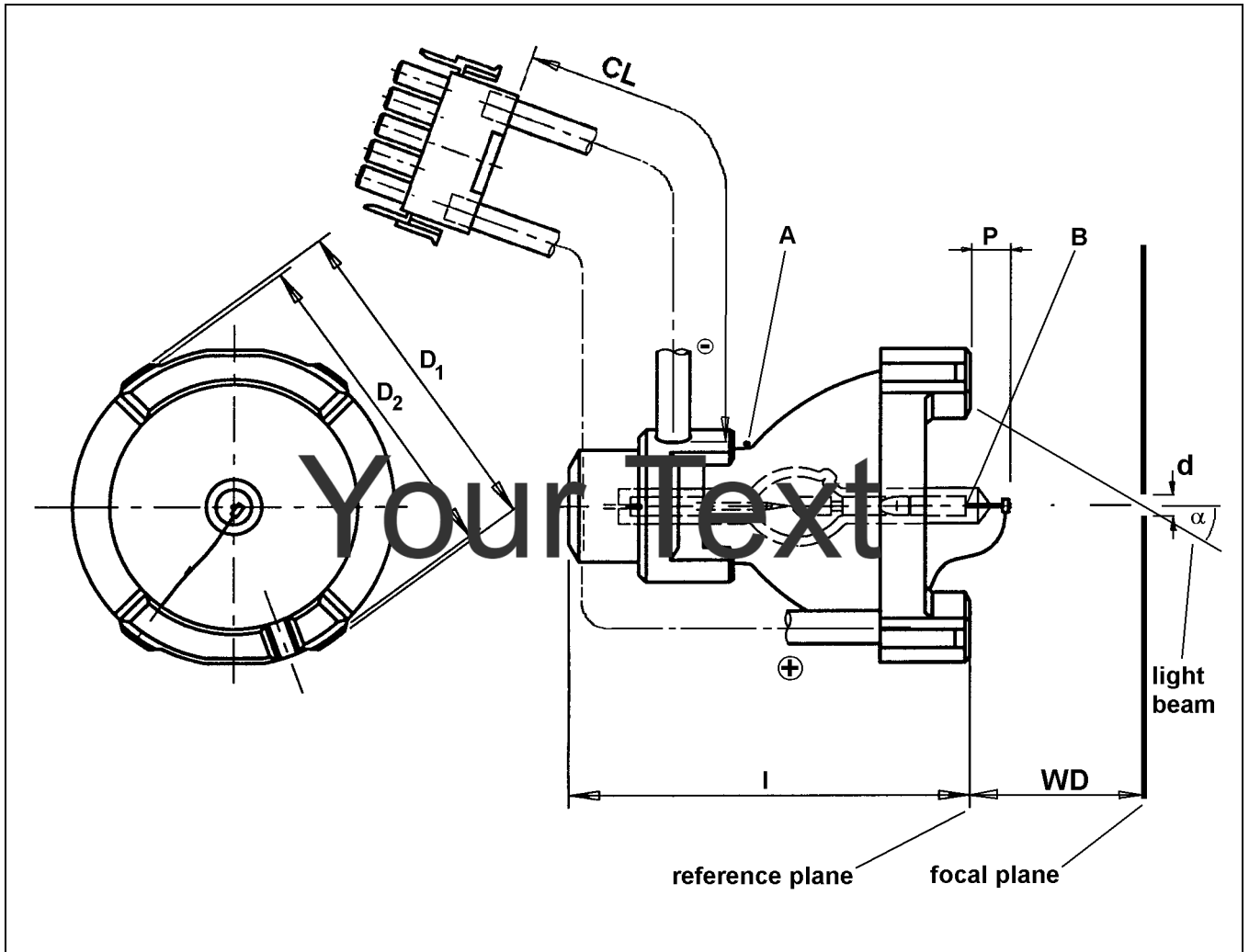
Xenon Short Arc Reflector



XBO[®] R 100 W/45C OFR

■ Product description

- Xenon discharge lamp for DC operation
- Short arc, high pressure
- Focusing reflector
- Dichroic coating for suppressed IR-output
- For light guides with up to 8 mm diameter
- Cable connection with plug-in contact
- Ozone-free
- Hot re-strikeable



■ Technical data

Rated lamp current	A	7.2
Rated lamp wattage	W	100
Initial voltage range	V	12 - 14
Ignition voltage (cold/hot)	kV	max. 20 / max. 20
Colour temperature	K	approx. 6000
Colour rendering index	R _a	> 90

Technical Information

No. FO 4918

Edition: 02/02 - subject to change

Supersedes: Initial Release 09/01

Status: valid

Xenon Short Arc Reflector



XBO[®] R 100 W/45C OFR

Beam-to-axis angle α	deg	max. 22.4
Length l	mm	max. 77
Length p	mm	max. 6
Reflector diameter D_1	mm	max. \varnothing 67.0
Diameter D_2	mm	\varnothing 64.0 _{-0,3}
Cable length CL	mm	min. 90
Electrical connectors	Cable with AMP-plug No. 350 809-1	

■ Performance data at rated current

Working distance WD	mm	45
Initial aperture lumens	lm	<ul style="list-style-type: none">• min. 300 at $d = \varnothing$ 3 mm• min. 400 at $d = \varnothing$ 5 mm
Declared service life ¹⁾	h	500

■ Mounting

Mounting rim mounting; for details see Technical Information No. FO 4913

■ Operation conditions

Your Text

Burning position	horizontal \pm 20° (p 20)	
Temperature at point A	°C	max. 250 allowed; 175 - 200 optimum
Temperature at point B	°C	max. 350 allowed; 200 - 250 optimum
Cooling	Forced cooling required, air flow velocity and distribution to be chosen in such a way as to ensure proper temperatures at points A and B	
Current operation range	A	min. 7.0, max. 7.4
Power operation range	W	min. 85, max. 115
Polarity	proper polarity to be observed	

XBO[®] R 100 W/45C can be operated either on a standard ballast or on an electronic power supply.

■ Additional documentation

- Guidelines for Mounting and Centering of Reflector Discharge Lamps (1); Technical Information No. FO 4913
- Guidelines for Power Supplies and Ignitors for Xenon Short Arc Lamps Photo Optics No. FO GL-4
- Cooling Scheme; Technical Information No. FO 4935

¹⁾ Operation time after which aperture lumens can decrease to 50% of initial value. Switching cycle 1 hour on, 1 hour off