

- Resolution 0.001mm/0.00005"
- IP65 dust/waterproof
- Button function: on/off, set, mm/inch, ABS/INC
- No data output
- LR44 battery, automatic power off
- Carbide measuring faces
- Supplied with spherical anvil
- Setting standards are included (except 0-25mm/0-1")

IP65
WATERPROOF

**ATTENTION: NO
DATA OUTPUT**

DIGITAL OUTSIDE MICROMETERS (WITHOUT DATA OUTPUT)

**INSPECTION
CERTIFICATE**
TRACEABLE TO DKD

Ratchet stop type

Code	Range	Accuracy	L	a	b	c
3108-25A*	0-25mm/0-1"	±2µm	34.5	6	25	3
3108-50A*	25-50mm/1-2"	±2µm	59.5	8	32	3
3108-75A*	50-75mm/2-3"	±3µm	84.5	8	44.5	3
3108-100A*	75-100mm/3-4"	±3µm	109.5	8	57	3
3108-125A	100-125mm/4-5"	±3µm	135	10	70	3
3108-150A	125-150mm/5-6"	±3µm	160.5	10	82	3
3108-175A	150-175mm/6-7"	±4µm	186	12	94.5	5.5
3108-200A	175-200mm/7-8"	±4µm	211.5	12	107	5.5

Friction thimble type

Code	Range	Accuracy	L	a	b	c
3108-25FA*	0-25mm/0-1"	±2µm	34.5	6	25	3

Set

Code	Range	Micrometers included	Packaging
3108-753A*	0-75mm/0-3"	3108-25A, 3108-50A, 3108-75A	blow mould case
3108-1004A*	0-100mm/0-4"	3108-25A, 3108-50A, 3108-75A, 3108-100A	blow mould case
3108-1506A	0-150mm/0-6"	3108-25A, 3108-50A, 3108-75A, 3108-100A, 3108-125A, 3108-150A	aluminum box

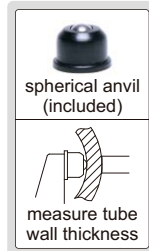
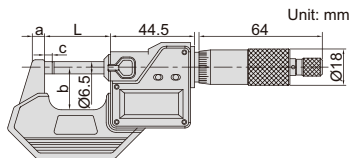
*Supplied with manufacturer inspection certificate traceable to DKD Germany



without data output



3108-25A



3108-753A



3108-1506A

DIGITAL OUTSIDE MICROMETERS

ATTENTION: NO
DATA OUTPUT

- Resolution 0.001mm/0.00005"
- Button function: on/off, set, mm/inch, ABS/INC
- No data output
- LR44 battery, automatic power off
- Carbide measuring faces
- Friction thimble
- Supplied with spherical anvil
- Setting standards are included (except 0-25mm/0-1")

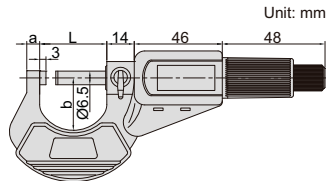
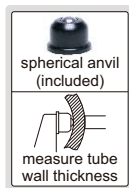
**INSPECTION
CERTIFICATE**
TRACEABLE TO DKD



3109-25A

Code	Range	Accuracy	L	a	b
3109-25A*	0-25mm/0-1"	±2μm	32	6	27.5
3109-50A*	25-50mm/1-2"	±2μm	57	8	37
3109-75A*	50-75mm/2-3"	±3μm	82	8	50
3109-100A*	75-100mm/3-4"	±3μm	107	10	61
3109-125A	100-125mm/4-5"	±3μm	132	10	73
3109-150A	125-150mm/5-6"	±3μm	157	10	85
3109-175A	150-175mm/6-7"	±4μm	182	21	104
3109-200A	175-200mm/7-8"	±4μm	207	21	117

(mm)



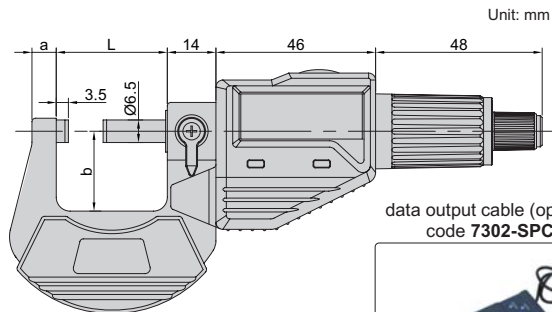
* Supplied with manufacturer inspection certificate traceable to DKD Germany

DIGITAL OUTSIDE MICROMETER

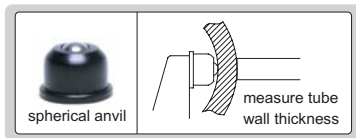


3109-25B

DATA
OUTPUT



data output cable (optional)
code 7302-SPC5



- Resolution 0.001mm/0.00005"
- Button function: on/off, set, mm/inch, ABS/INC
- Data output
- Battery CR2032, automatic power off
- Carbide measuring faces
- Friction thimble
- Supplied with spherical anvil
- Setting standards are included (except 0-25mm/0-1")
- Optional accessory: data output cable (code 7302-SPC5, only for 3109-25B)



Code	Range	Accuracy	L	a	b
3109-25B*	0-25mm/0-1"	±2µm	31.5	7.0	23
3109-50B*	25-50mm/1-2"	±2µm	57.0	8.7	32
3109-75B*	50-75mm/2-3"	±3µm	82.5	7.5	44
3109-100B*	75-100mm/3-4"	±3µm	106.5	8.2	56

* Supplied with manufacturer inspection certificate traceable to DKD Germany