



Lx 500

Research Microscopy



LABOMED 
ideas for vision



The new face of Lab Microscopy

1 With a 0-25° arc, the ergonomic viewing body brings flexibility to your viewing angle. Thanks to high throughput focusable eyepieces, Super Plan RP2 series objectives, and a robust mechanical structure, the Lx 500 makes for a clinician's first choice. All optical surfaces are treated with high efficiency anti-fungal coatings.

2 A ceramic stage ensures perusal of slides without degradation of the stage's surface. A Rackless stage promises safety during X-axis translation. An Abbe flip-top condenser allows for greater range of magnification.

3 With the option of a 6V-30W or LED True Köhler illumination system, the Lx 500 guarantees a bright field of illumination. A double-layer bulb housing promises low heat emission, making the system comfortable to use.





LABOMED[®]
ideas for vision

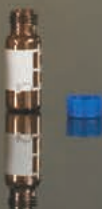
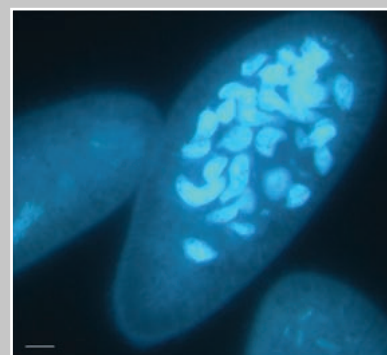
Lx 500

Where there is quality, so should there be economy. This philosophy was applied to every critical step in the design of the Lx 500. With its graceful symmetry and its highly ergonomic features, this microscope speaks to today's researchers who understand that affordability and reliability need not be mutually exclusive.

The Lx 500 is the outcome of a combination of world-class technology and design innovation. With its feature rich configuration and a host of accessories, the Lx 500 is a versatile and fully extendable research microscopy system.

The Lx 500 is where economy meets first class.

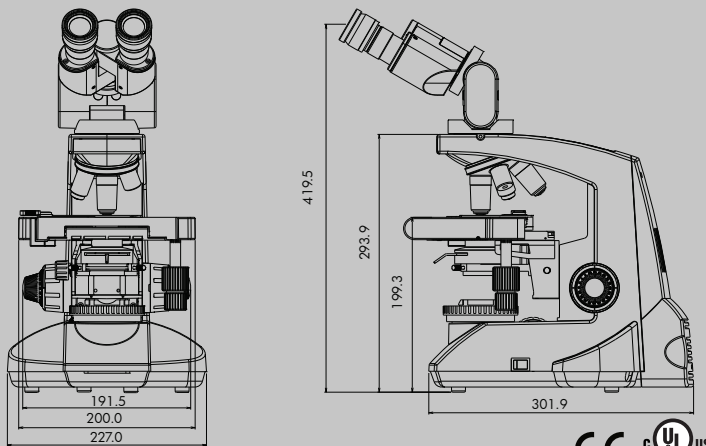
All contact surfaces are treated with antimicrobial agents to ensure zero point-of-contact bacterial contamination.



Lx 500 Research Microscope

Item	Specifications
Stand	Single mold sturdy stand with anti-rust materials. Extended base for greater stability.
Viewing Body	Siedentopf Binocular or Trinocular head; 30° inclined or ergonomic 0° - 25° tilting Binocular, 360° rotatable; IPD 47 - 75mm
Eyepiece	Focusable wide field 10x/22mm eyepiece with foldable eye guard
Nosepiece	Reverse-angle quintuple nosepiece (ball bearing type) with click stops and rubber grip
Objectives	RP series Infinity Corrected DIN Plan Achromatic objectives: 4x (WD 30.0mm), 10x (WD 5.00mm), 40x (WD 0.65mm, spring loaded), 100x (WD 0.15mm, spring loaded, oil)
Mechanical Stage	Rackless X-axis ceramic double-plate stage, size 200 x 140mm, X/Y travel range 76mm x 50mm; double specimen holder
Condenser	Flip-top sub stage Abbe condenser NA 1.25. Iris diaphragm with blue daylight filter. Rack and pinion movements on stainless steel guides.
Focusing	Co-axial coarse and fine focusing on gear systems. Fine adjustment 0.3mm/rotation.
Illumination	Full Köhler illumination with Halogen 6V-30W or LED (built-in rechargeable battery) with variable illumination control. Halogen provides up to 2,000 hours lamp life; LED up to 50,000 hours.
Electrical	Universal input 100V - 240V AC, 50/60Hz. Built-in voltage stabilizer.
Optional Accessories	Zernike Phase contrast kit 10x/20x/40x/100x RP series Phase Plan Achromatic objectives; Dark field kit; Simple Polarizer/Analyzer; Fluorescence attachment; Dual view attachment; Video adapter

Dimensions (Units: mm)



Description	Configuration	Catalog No.
Siedentopf 30°		
Standard, Halogen	Binocular	9144200
Standard, LED	Binocular	9144210
Standard, Halogen	Trinocular	9144300
Standard, LED	Trinocular	9144310
Phase, Halogen	Binocular	9144400
Phase, Halogen	Trinocular	9144500
Ergonomic 0°-25° Tilting		
Standard, Halogen	Binocular	9144000
Standard, LED	Binocular	9144110
Phase, Halogen	Binocular	9144100

Labo America, Inc.
920 Auburn Court
Fremont, CA 94538

Tel: (510) 445-1257
Fax: (510) 445-1317
E-mail: sales@laboamerica.com

www.laboamerica.com

With a policy of continuous development, Labo America, Inc. reserves the right to change design and specifications without prior notice.



Distributor